

CBL2000E

Full Size Electric Beltloader



Charlotte Beltloader Model CBL2000E is capable of servicing all types of aircraft with door sill heights ranging from 30" up to 170". Power for the main drive is supplied by a 40 hp AC motor which gives the unit a 16 MPH running speed on level ground. The majority of major components are compatible with the T-137 electric baggage tractor.

STANDARD FEATURES

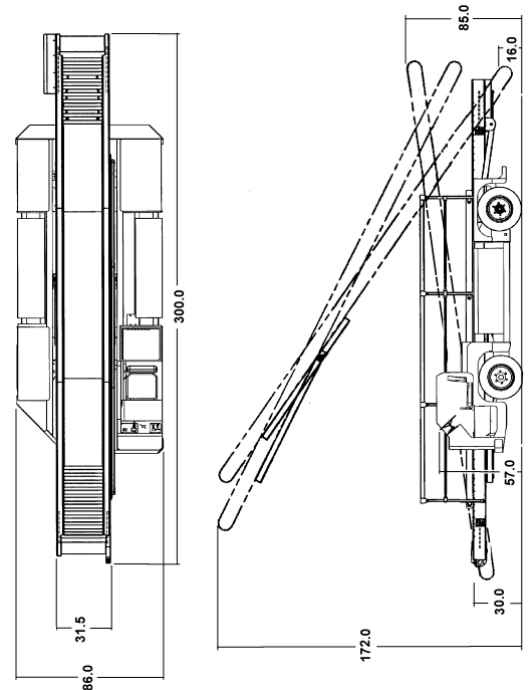
- Ø Dual Hydraulic Braking (Front - Disc, Rear - Drum)
- Ø Hydraulic Power Steering
- Ø Flush Mounted Belt Controls
- Ø Self-Aligning Belt with Three Belt Speeds
- Ø Direct Drive Belt System
- Ø Modular Chassis (Gas, Diesel, and LPG available)

CBL2000E

TECHNICAL CHARACTERISTICS

Manufacturer	Manufacturer		Charlotte of America	
Model	Manufacturer's Designation		CBL2000E	
Energy Source	Battery	Volts	72 or 80	
Battery Capacity	Ampere Hour Options	AH	375 / 375 / 425	
Controller	Manufacturer		Curtis	
	Model		1238	
Converter	Manufacturer		Sevcon	
	Output Rating	Volts/Watts	13.5 / 300	
Traction Motor	Manufacturer		ABM	
	Rating @ 72 Volts	hp / kw	40 / 30	
Dimensions	Length w/o Belt Structure Guard	in / cm	300.0 / 762.0	
	Width	in / cm	86.0 / 218.4	
	Height (over steering wheel)	in / cm	58.0 / 147.3	
	Sitting Height	in / cm	35.5 / 90.2	
	Outside Turning Radius (Belt)	ft / cm	25.0 / 762.0	
	Outside Turning Radius (Chassis)	ft / cm	23.0 / 701.0	
Performance	Speed Empty	mph / km/h	16 / 26	
	Gross Weight with Battery	lb / kg	9750 / 4432	
Chassis	Frame Mfg. W/Jigs & Fixtures		Yes	
	Auto Design Wiring Harness		Yes	
	Wheels Front/Rear		One Piece Rim	
	Tires Front	Front/Rear	225/75 X 16	
	Wheel Base C/L	in / cm	112.0 / 284.5	
	Track Width C/L Front/Rear	in / cm	69 / 175.3	
	Ground Clearance	in / cm	6.5 / 16.5	
	Service Brake Front/Rear		Disc / Drum	
	Parking Brake		Drum	
	Suspension	Front		Solid
		Rear		Two – 6 Leaf Springs
	Belt Structure	Drive (Electric)	Volts	72 or 80
Boom Width		in / cm	31.5 / 80.0	
Belt Width		in / cm	24.0 / 60.96	
Roller Spacing		in / cm	6.0 / 15.2	
Belt Height Front Max/Min		in / cm	172/436.8 – 30.0/101.6	
Belt Height Rear Max/Min		in / cm	85.0/215.9 – 16.0/40.6	
Belt Speed Max/Min		ft/min/cmp m		30.0/914.4 – 100.0/3048.0
Belt Length		in / cm	297.0 / 754.4	
Power Roller Diameter	in / cm	9.0 / 22.9		
Drive Axle	Manufacturer		Charlotte	
	Motor Drive Line		No	
	Total Reduction		17:1	
Front Axle	Manufacturer		Palliard	
	Model		3390D08	

These descriptions are given as an indication only and do not represent a commitment



Charlotte America

P.O. Box 968
600 Mountain Lane
Bluefield, VA 24605
Phone: (276) 326-1510
Fax: (276) 326-1602
e-mail: equipmentsales@charlatteus.com

Charlotte France

Z.I. – Route du Boutoir
89210 Briennon sur Armancon (France)
Phone: (33) 386 43 01 30
Fax: (33) 386 43 04 66
e-mail: contact@charlattemanutention.fayat.com

Charlotte United Kingdom

LSUK Building
Spindle Way
RH10 1TG Crawley West Sussex
United Kingdom
Phone: (44) 01 293 529 640
e-mail: ukparts@charlattemanutention.fayat.com